

# LINEAR ACTUATORS

## XT Series

<b>CAPACITY:</b>	450 - 1250 lbs (2000 - 5500 N)
<b>SPEED:</b>	0.24 - 0.88 in/s (6.1 - 22.3 mm/s)
<b>VOLTAGE:</b>	24 VDC
<b>TEMPERATURE RANGE:</b>	-13°F to 150°F (-25°C to 65°C)
<b>ENVIRONMENTAL RATING:</b>	IP66 protection



XT

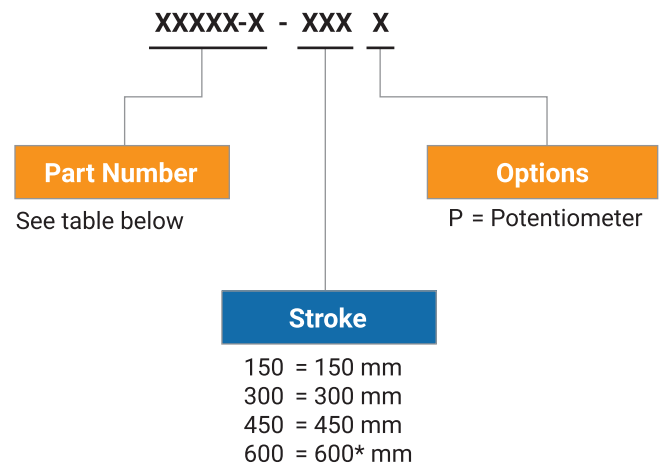
### FEATURES & BENEFITS

- Safe operation with internal limit switches to stop motion at fully retracted and fully extended positions
- Keyed translating tube eliminates the need for restraining torque
- Withstand the elements with IP66 protection for rugged outdoor environments
- Improved strength from zinc die cast housing
- ETL testing to UL standards provides assurance of safety
- Manual drive feature for positioning the actuator without power
- Corrosion resistant, aluminum outer tube

### OPTIONS

- Positioning feedback via potentiometer
- Design custom configurations with our application engineering team

### CATALOG NUMBER CONFIGURATION KEY



**XT450-2-150P = 450 lbs. Capacity, 24 VDC, 150 mm stroke, Potentiometer**

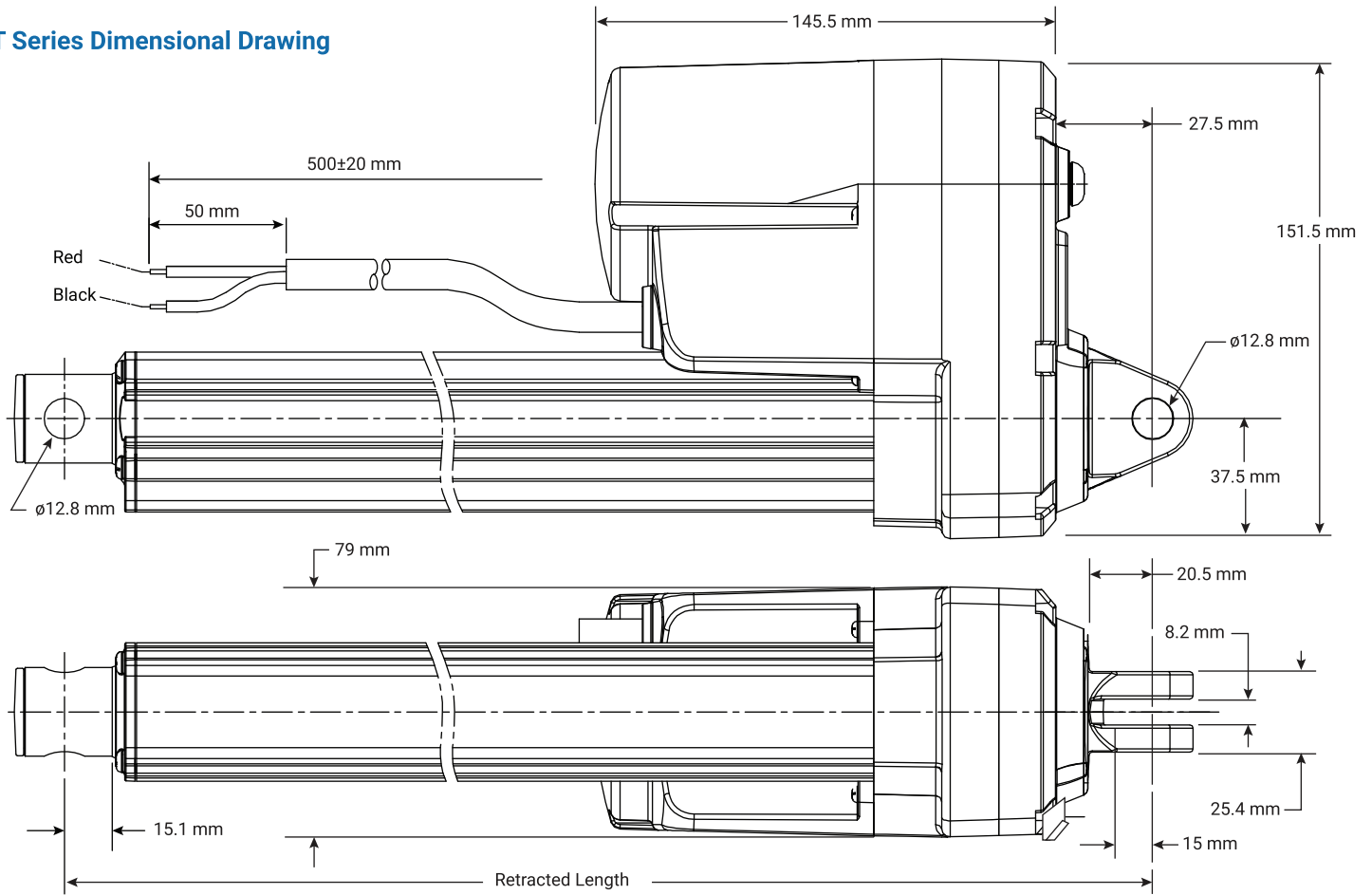
### PART NUMBERS and PRODUCT SPECIFICATIONS

Part Number	Series	Voltage	Dynamic Rated Load	Available Stroke Length	Speed at Rated Load	Current Draw at Rated Load	Temp. Range	Restraining Torque	Duty Cycle at Rated Load	Screw	Mechanical Brake	Clutch	Limit Switches
#	Prefix	VDC	lbs (N)	in (mm)	in/s (mm/s)	A	°F (°C)		%	Type			
XT450-2	XT	24	450 (2000)	5.9 (150) 11.8 (300) 17.7 (450) 23.6 (600)*	.88 (22.3)	7.5	-13 to 150 (-25 to 65)	Keyed	25	ACME	—	—	Included
XT750-2		24	750 (3300)		.44 (11.1)	8.0	-13 to 150 (-25 to 65)	Keyed	25	ACME	—	—	Included
XT1250-2		24	1250 (5500)		.24 (6.1)	6.8	-13 to 150 (-25 to 65)	Keyed	25	ACME	—	—	Included

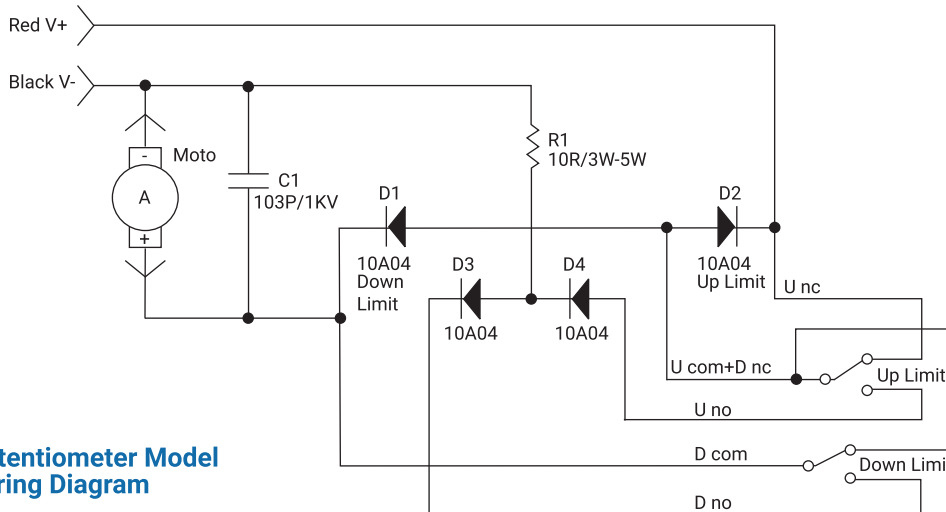
\*Stroke length on 600mm with POT is 22.4 in. (570mm)

## DIMENSIONAL DRAWINGS and WIRING DIAGRAMS

### XT Series Dimensional Drawing



### Standard Model Wiring Diagram



Series	Stroke Length	Without POT		With POT	
		Retracted Length in	Retracted Length mm	Retracted Length in	Retracted Length mm
XT	150	11.8	284	12.0	304
	300	17.9	454	18.7	474
	450	25.0	634	25.7	654
	600*	32.0	814	32.8	804

\*Stroke length on 600 mm with POT is 570mm

### Potentiometer Model Wiring Diagram

