

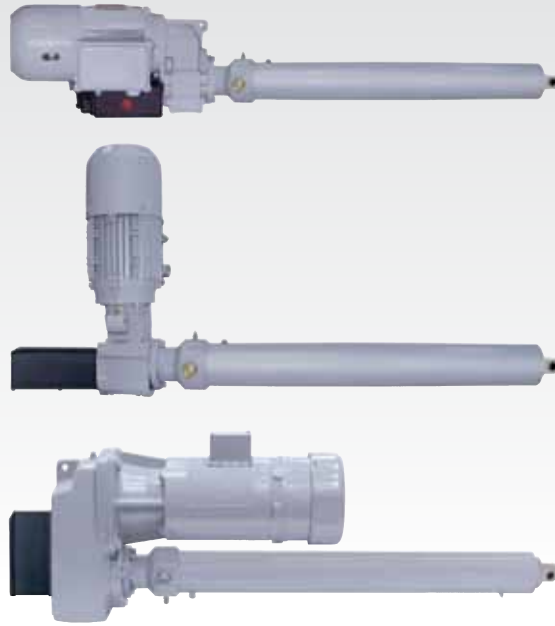
# SERIES

## SCN03

### 3 TON (26.6 kN)

SPEED:	Up to 182.4 in/min (4633 mm/min)
BRAKE MOTOR:	TEFC 230/460 VAC, 3 ph, 60 Hz
STROKES:	Up to 61 in (1549 mm)
TEMPERATURE RANGE:	0°F to 120°F (-18°C to 50°C)*

\*For other temperatures please consult the factory



#### FEATURES & BENEFITS

- Easy to install - reduces installation costs
- Custom designed for your application
- Low maintenance design - easy to maintain after installation
- Long product life expectancy
- Ball screw
- Ductile iron housing
- Chrome plated translating tube
- Adjustable end of stroke limit switches
- Clevis and trunnion mounting
- Motor configuration include: parallel, right angle and OFFSET

#### OPTIONS

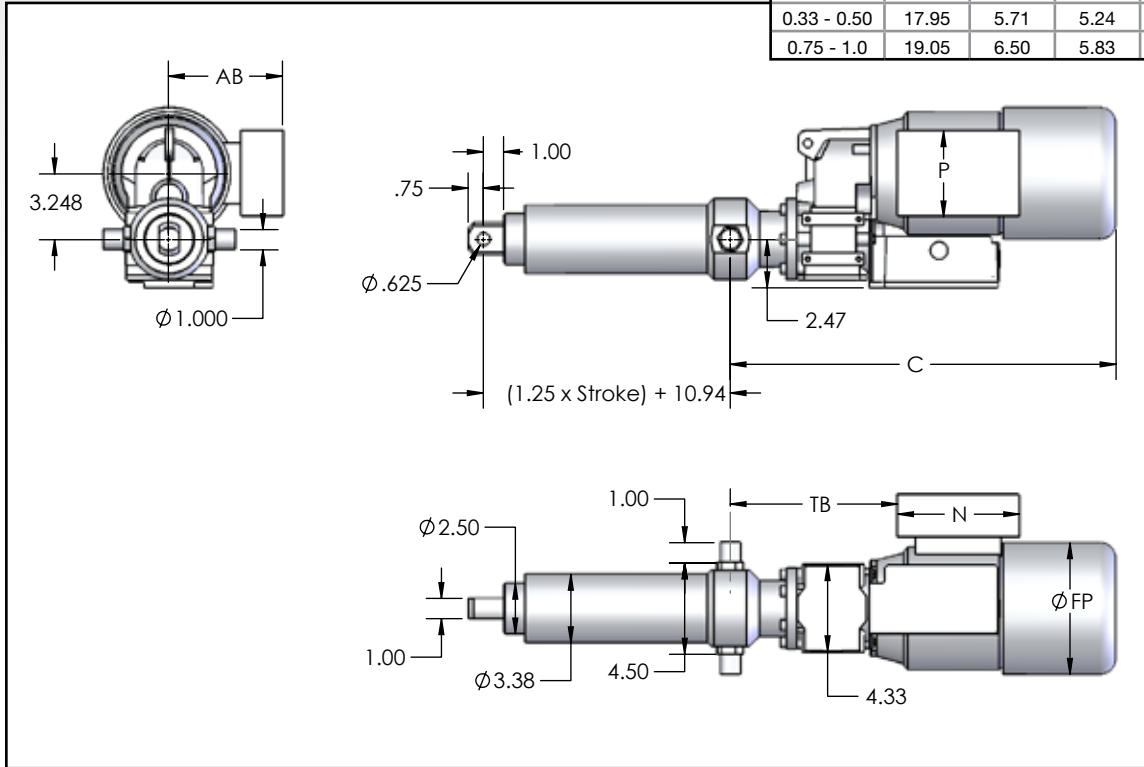
- Food grade component options available
- Explosion proof motor and limit switch (see pages 36-39)
- Product designs for outdoor applications
- Manual override
- Other special packages are available upon your application needs





## OFFSET MOTOR

Motor HP	C	FP	AB	TB	N	P
0.16 - 0.25	17.00	5.17	4.84	7.94	5.20	3.43
0.33 - 0.50	17.95	5.71	5.24	8.25	5.20	3.43
0.75 - 1.0	19.05	6.50	5.83	8.21	6.02	4.25



## PRODUCT INFORMATION

Part Number	Rated Load		Standard Stroke Lengths		Retracted Length	Speed		Max Stroke		Motor	
	lbs	N	in	mm	in (mm)	in/min	mm/min	in	mm	HP	kW
NZ03-0424	2134	9492	6, 12, 18, 24, 36	152, 304, 457, 609, 914	10.94 (277) + (1.25 x Stroke)	165.6	4206	61	1549	1	0.74
NZ03-0534	2687	11,952				131.5	3340	61	1549	1	0.74
NZ03-0635	3196	14,216				110.6	2809	61	1549	1	0.74
NZ03-0726	3654	16,235				96.7	2456	59	1499	1	0.74
NZ03-0864	3261	14,505				81.3	2065	61	1549	3/4	0.56
NZ03-0949	3582	15,933				74.0	1880	59	1499	3/4	0.56
NZ03-1166	2934	13,051				60.2	1529	61	1549	1/2	0.37
NZ03-1384	3482	15,487				50.7	1287	60	1524	1/2	0.37
NZ03-1492	3754	16,697				47.1	1196	58	1473	1/2	0.37
NZ03-1653	4159	18,499				42.5	1079	55	1397	1/2	0.37
NZ03-1879	4728	21,031				37.4	950	52	1321	1/2	0.37
NZ03-2235	3712	16,511				31.4	798	58	1473	1/3	0.24
NZ03-2455	4077	18,143				28.6	726	56	1422	1/3	0.24
NZ03-2913	4838	21,519				24.1	612	51	1295	1/3	0.24
NZ03-3181	5283	23,498				22.1	561	49	1244	1/3	0.24
NZ03-3480	5779	25,706				20.2	513	47	1193	1/3	0.24
NZ03-3773	6000	26,689				18.6	472	45	1143	1/3	0.24
NZ03-4185	5265	23,419				16.8	427	49	1245	1/4	0.19
NZ03-4965	6000	26,689				14.1	358	45	1143	1/4	0.19
NZ03-5933	6000	26,689				11.8	300	41	1041	1/4	0.19
NZ03-8171	6000	26,689	8.6	218	44	1118	1/6	0.12			

Consult the factory for additional speeds and capacities. Stroke lengths are available in 1 inch increments, please contact the factory for details.

# SERIES

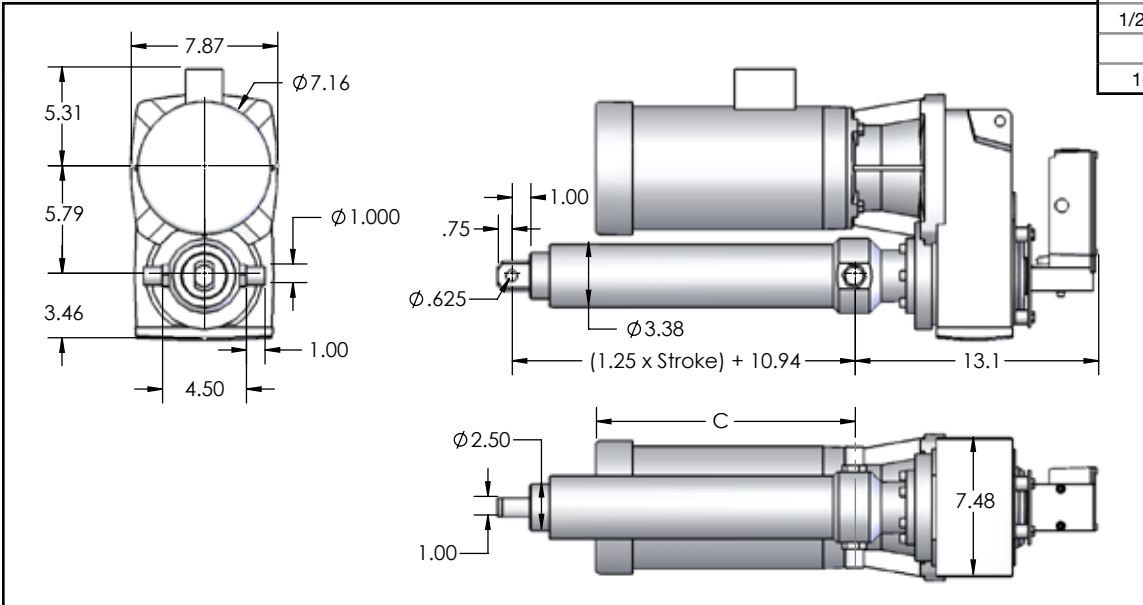
## SCN03

### 3 TON (26.6 kN)



#### PARALLEL MOTOR

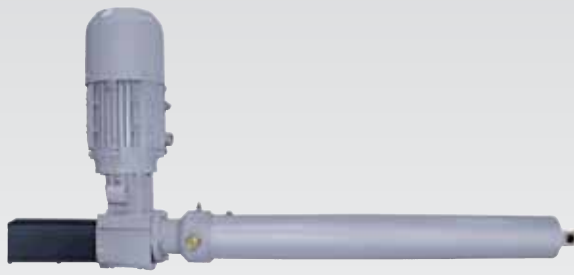
Motor HP	C
1/3	11.92
1/2 - 3/4	13.42
1	13.92
1-1/2	15.36



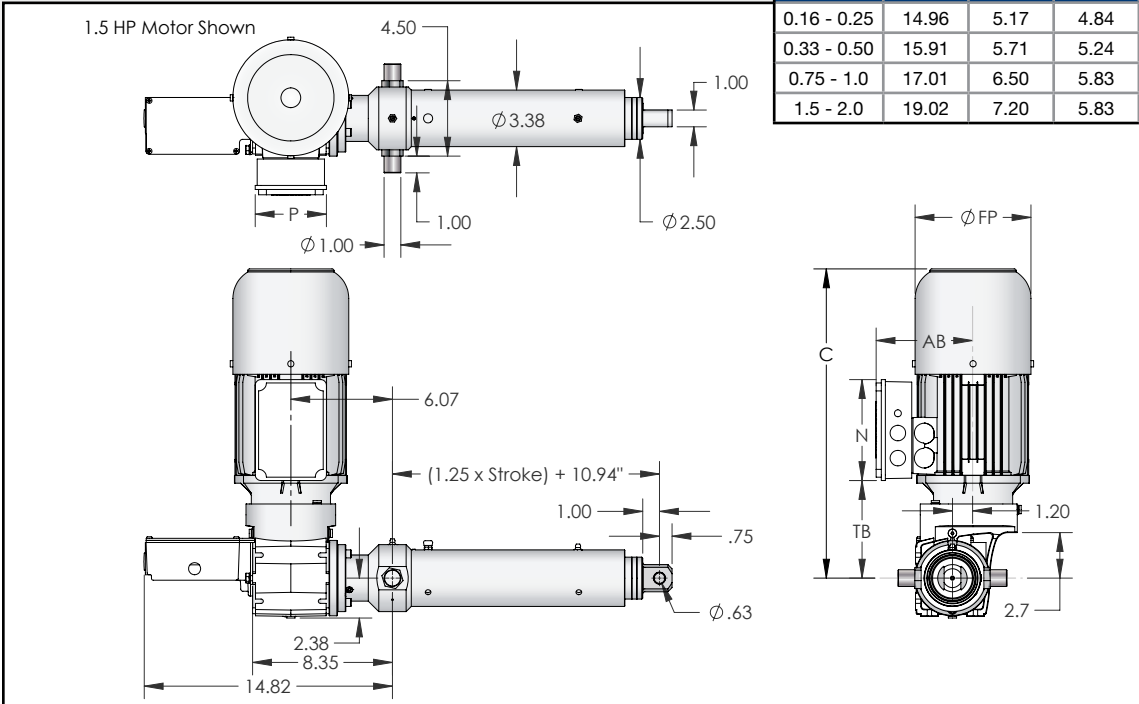
#### PRODUCT INFORMATION

Part Number	Rated Load		Standard Stroke Lengths		Retracted Length in (mm)	Speed		Max Stroke		Motor	
	lbs	N	in	mm		in/min	mm/min	in	mm	HP	kW
NU03-0451	3404	15,141	6, 12, 18, 24, 36	152, 304, 457, 609, 914	10.94 (277) + (1.25 x Stroke)	155.7	3955	61	1549	1-1/2	1.11
NU03-0572	2879	12,806				122.7	3117	61	1549	1	0.74
NU03-0643	3236	14400				109.2	2773	61	1549	1	0.74
NU03-0748	3764	16749				93.9	2385	58	1473	1	0.74
NU03-0837	3159	14,051				83.9	2131	61	1549	3/4	0.56
NU03-0903	3408	15165				77.8	1976	61	1549	3/4	0.56
NU03-1015	3831	17,048				69.2	1758	57	1447	3/4	0.56
NU03-1181	2972	13,220				59.4	1509	61	1549	1/2	0.37
NU03-1323	3329	14814				53.1	1348	61	1549	1/2	0.37
NU03-1653	4159	18,508				42.5	1079	55	1397	1/2	0.37
NU03-1851	3074	13,673				37.9	963	61	1549	1/3	0.24
NU03-2190	3637	16184				32.1	815	59	1499	1/3	0.24
NU03-2396	3979	17706				29.3	744	56	1422	1/3	0.24
NU03-2497	4147	18454				28.1	713	55	1397	1/3	0.24
NU03-2683	3375	15,012				26.2	665	61	1549	1/4	0.19
NU03-2965	3730	16,599				23.7	602	58	1473	1/4	0.19
NU03-3123	3929	17,484				22.5	571	57	1447	1/4	0.19
NU03-3654	4597	20456				19.2	487	52	1320	1/4	0.19
NU03-3718	4678	20,817				18.9	480	52	1321	1/4	0.19
NU03-4511	3632	16,155				15.6	396	59	1499	1/6	0.12
NU03-5396	4345	19335				13.0	330	54	1371	1/6	0.12
NU03-6383	5139	22868				11.0	279	50	1270	1/6	0.12
NU03-6967	5610	24,965				10.1	256	47	1193	1/6	0.12
NU03-8242	6000	26,700				8.5	216	44	1117	1/6	0.12
NU03-10098	6000	26700				7.0	177	39	990	1/6	0.12
NU03-10407	6000	26700				6.7	170	39	990	1/6	0.12
NU03-12751	6000	26700				5.5	139	35	889	1/6	0.12

Consult the factory for additional speeds and capacities. Stroke lengths are available in 1 inch increments, please contact the factory for details.



### RIGHT ANGLE MOTOR



Motor HP	C	FP	AB	TB	N	P
0.16 - 0.25	14.96	5.17	4.84	5.94	5.20	3.43
0.33 - 0.50	15.91	5.71	5.24	6.26	5.20	3.43
0.75 - 1.0	17.01	6.50	5.83	6.22	6.02	4.25
1.5 - 2.0	19.02	7.20	5.83	6.42	6.02	4.25

### PRODUCT INFORMATION

Part Number	Rated Load		Standard Stroke Lengths		Retracted Length in (mm)	Speed		Max Stroke		Motor	
	lbs	N	in	mm		in/min	mm/min	in	mm	HP	kW
NL03-0358	2702	12,021				196.1	4981	61	1549	1-1/2	1.12
NL03-0397	2997	13,330				176.9	4492	61	1549	1-1/2	1.12
NL03-0465	3510	15,614				151.0	3835	61	1549	1-1/2	1.12
NL03-0517	2602	11,573				135.8	3449	61	1549	1	0.75
NL03-0583	2934	13,051				120.4	3059	61	1549	1	0.75
NL03-0667	3357	14,931				105.3	2674	61	1549	1	0.75
NL03-0758	3815	16,968				92.6	2353	58	1473	1	0.75
NL03-0867	3272	14,556				81.0	2057	61	1549	3/4	0.56
NL03-0985	3718	16,537				71.3	1810	59	1499	3/4	0.56
NL03-1111	2795	12,435				63.2	1605	61	1549	1/2	0.37
NL03-1278	3216	14,304	6, 12, 18, 24, 36	152, 304, 457, 609, 914	10.94 (278) + (1.25 x Stroke)	54.9	1395	61	1549	1/2	0.37
NL03-1600	4026	17,908				43.9	1115	57	1448	1/2	0.37
NL03-1852	3076	13,681				37.9	963	61	1549	1/3	0.25
NL03-2080	3454	15,365				33.8	857	61	1549	1/3	0.25
NL03-2407	3997	17,781				29.2	741	57	1448	1/3	0.25
NL03-2716	3417	15,200				25.9	657	61	1549	1/4	0.19
NL03-3157	3972	17,667				22.2	565	57	1448	1/4	0.19
NL03-3562	4481	19,934				19.7	501	54	1372	1/4	0.19
NL03-4098	5156	22,934				17.1	435	50	1270	1/4	0.19
NL03-4767	5997	26,677				14.7	374	46	1168	1/4	0.19
NL03-5378	4330	19,262				13.1	332	54	1372	1/6	0.12
NL03-6188	4982	22,163				11.3	288	51	1295	1/6	0.12

Consult the factory for additional speeds and capacities. Stroke lengths are available in 1 inch increments, please contact the factory for details.

\* C-face only