



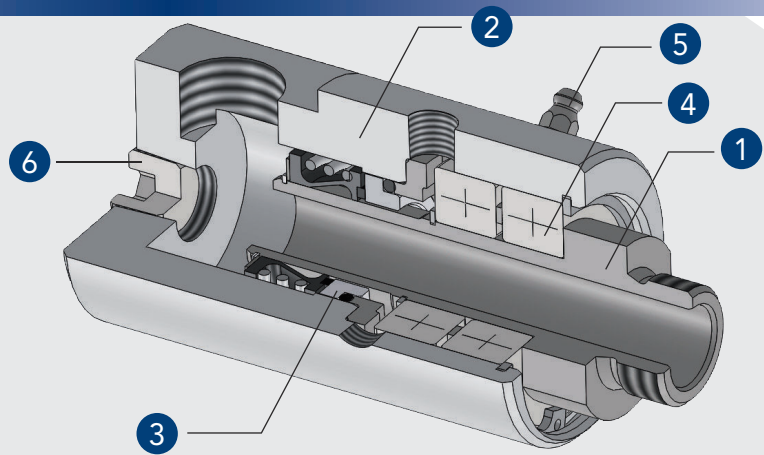
## DWPA Series



**Your First Choice**  
For Fluid Transfer solutions!

# DWPA Series

|   |                 |                                     |
|---|-----------------|-------------------------------------|
| 1 | Rotor           | Stainless Steel                     |
| 2 | Stator          | Aluminium                           |
| 3 | Mechanical Seal | Silicon Carbide/<br>Carbon Graphite |
| 4 | Ball-Bearing    | Carbon Steel                        |
| 5 | Grease fitting  | Stainless Steel                     |
| 6 | Plug            | Stainless Steel                     |



## Working Parameters

| Rotation           | Fluid                                   | Maximum Pressure | Working Temperature | Material                                    |
|--------------------|---|------------------|---------------------|---|
| up to 1750 rpm (1) | Water, Oils or non-corrosive fluids (2) | 14 bars          | up to 70° C (3)     | Stator: Aluminium<br>Rotor: Stainless Steel |

1 – From 1751 rpm to 3000 rpm, maximum admissible pressure is 11.2 bars  
 2 – Non-corrosive fluids to Aluminium  
 3 – From 71°C to 100°C, maximum admissible pressure is 11.9 bars

The Duff Norton Europe DWPA Series Rotary Union is designed for use in general purpose, moderate temperature water application. Other solutions or oils may be used if they are non-corrosive to aluminum and compatible with nitrile rubber. The pipe plug installed in the end of the standard Rotary Union may be replaced with special elbows available from Duff Norton Europe to install either stationary or rotating siphon pipes for dual flow applications.

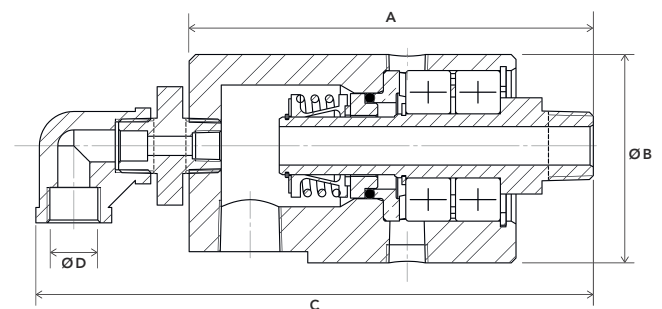
|                              | DWPA821          | DWPA827          | DWPA834        | DWPA849           | DWPA860        |
|------------------------------|------------------|------------------|----------------|-------------------|----------------|
| Nominal Diameter (DN)        | Ø 12             | Ø 18             | Ø 25           | Ø 38              | Ø 46           |
| Overall Length               | 128              | 138,5            | 156,5          | 206               | 228            |
| Overall Diameter             | Ø 65             | Ø 65             | Ø 92           | Ø 114             | Ø 132          |
| Shaft Connection (LH or RH)  | BSPP ou NPT 1/2" | BSPP ou NPT 3/4" | BSPP ou NPT 1" | BSPP ou NPT 1"1/2 | BSPP ou NPT 2" |
| Housing Connection (RH only) | BSPP ou NPT 1/2" | BSPP ou NPT 3/4" | BSPP ou NPT 1" | BSPP ou NPT 1"1/2 | BSPP ou NPT 2" |

## Product Features

- Silicon carbide / carbon graphite seal faces provide long service life,
- Internal bearing protection and vented body to prevent lubricant washout,
- Short run dry capability for initial machine start up,
- Easy maintenance process with cartridges,
- High precision ball bearings for smooth running and long life, even at high speed,
- Useable for printing industry.

## Available in dual flow models with elbow

|                           | DWPA921 | DWPA927 | DWPA934 | DWPA949 | DWPA960 |
|---------------------------|---------|---------|---------|---------|---------|
| Nominal Diameter (DN)     | Ø 12    | Ø 18    | Ø 25    | Ø 38    | Ø 46    |
| Length A                  | 128     | 138,5   | 156,5   | 206     | 228     |
| Diameter B                | Ø 65    | Ø 65    | Ø 92    | Ø 114   | Ø 132   |
| Overall Length C          | 174     | 193     | 219     | 294     | 315     |
| Connection D (BSP or NPT) | 3/8"    | 1/2"    | 3/4"    | 1"1/4   | 1"1/4   |



## Performance & Warranty

The DWPA Series Rotary Union has been tested in our lab and is covered by a one year warranty against defective materials or workmanship. Durability tests have been run at 14 bars and 1500 rpm.

