

Machine Screw Actuators Micro-Miniature

Features

- Allows for extremely fine adjustment.
- Corrosion-resistant.
- Equipped with anti-backlash nuts to minimize vertical backlash between the screw and worm gear nut.
- Actuates up to 1,000 pounds.
- Also available in stainless steel. Standard model has anodized aluminum shell cap and housing with stainless steel worm and lifting screws. Also available with sealed 316 stainless steel shell cap, housing, worm and lifting screw.
- Manual operation is accomplished with an easy-to-use hand knob. The dial indicator is protected by a removable clear plastic cover.
- Dial indicators available upon request. Indicate preference when ordering.



Dial indicator to go inside plastic case

Part No. SK-3554-46 -Balanced dial reading 0-50-0 in .001" graduations with revolution counter.

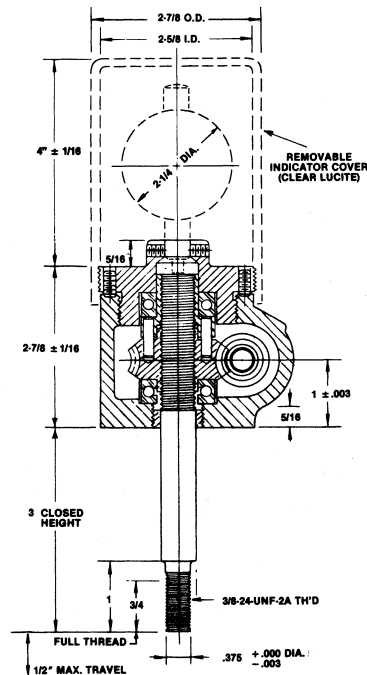
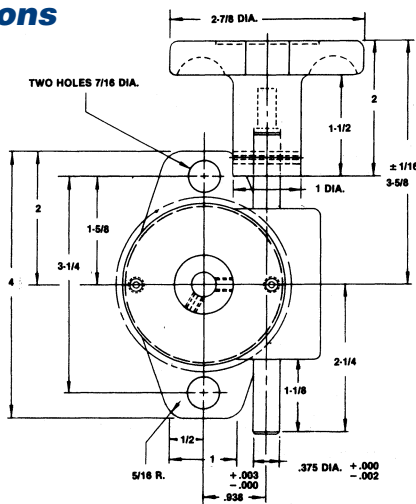
Part No. SK-3554-83 -Continuous dial reading 0-100 in .001" graduations with revolution counter. (Type of dial must be specified as above when ordering actuator.)

Note: The load bearings and worm bearings inside stainless steel actuators are not stainless steel.

Micro-Miniature Actuator Specifications

Model No.	Rated Capacity	Screw Dia.	Turns of Worm for 1/2" Raise	No Load Torque	Lifting Torque at Full Load	Worm Gear Ratio	Weight	Shell Cap and Housing
M3554-30	500 lbs.	.500	500	2 In.-Lbs.	12 In.-Lbs.	20:1	2 Lbs.	Aluminum
M3554-27	1000 lbs.	.625	500	2 In.-Lbs.	18 In.-Lbs.	20:1	2 Lbs.	Aluminum
M3554-136	1000 lbs.	.625	500	2 In.-Lbs.	18 In.-Lbs.	20:1	3 Lbs.	Stainless Steel

Specifications



Dimensions are subject to change without notice.