

# HSPB SERIES

250 lbs

1,112 N



## Specifications

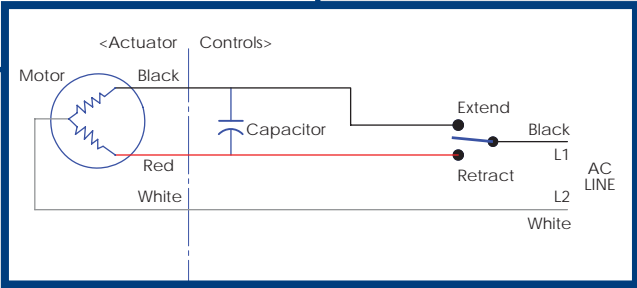
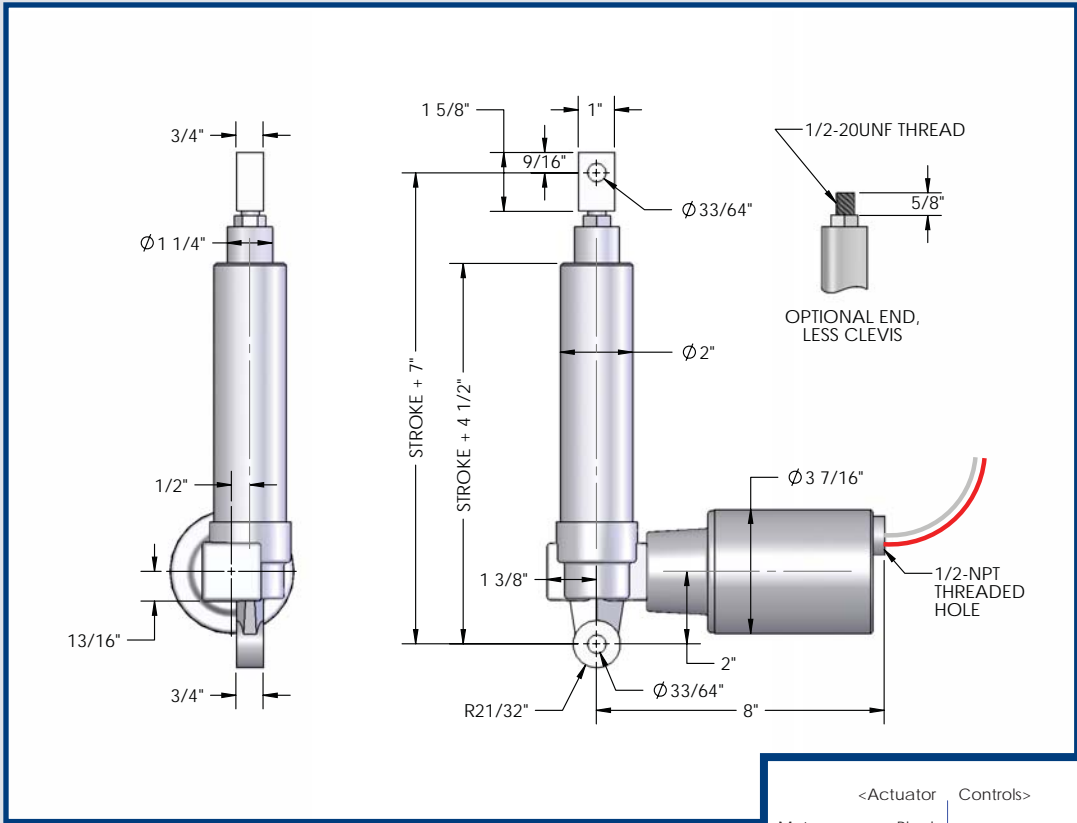
<b>CAPACITY</b>	<b>STATIC LOAD</b>
250 lbs (1,112 N)	300 lbs (1,332 N)
<b>TUBE RESTRAINING TORQUE</b>	<b>DESIGN</b>
60 in-lbf (6.7 Nm)	Acme Screw
<b>TEMPERATURE RANGE</b>	<b>ENVIRONMENT</b>
-20°F to 120°F (-29°C to 50°C) (Special grease for low temperature)	IP50 Protection standard (IP52 optional)

## Features & Benefits

- Heavy duty design for long life in tough applications
- Aluminum housing and outer tube
- Steel translating tube – zinc chromate plated
- Double clevis mounting
- Bidirectional Ball Type Brake
- Load limiting friction disc clutch
- Automatic reset thermal overload motor protection

## Options

- Weather Resistant Sealant – IP52 (add “W” prefi x)
- Capacitor (see table)
- Bellows Boot
- Thread end (add”T” prefix)



HSPB Linear Actuator with limit switch - 250 lb (1,112 N) Capacity														
Part Number	Rated Load		Stroke Length		Retracted Length		Voltage	Current Draw at Rated Load (A)	Speed at Rated Load		Duty Cycle at Rated Load		Weight	
	lbs	N	in	mm	in	mm			in/s	mm/s	in/h	mm/h	lbs	N
HSPB3405-3	250	1,112	3	76	10	254	115 Vac (60 Hz)	5.1	1.4	35.5	500	12,700	10	44.4
HSPB3405-6			6	152	13	330							12	53.3
HSPB3405-12			12	304	19	482							14	62.2
HSPB3405-18			18	457	25	635							17	75.6

Note: For all AC motors, a capacitor is required. The capacitor can be supplied by the customer or by Duff-Norton.