

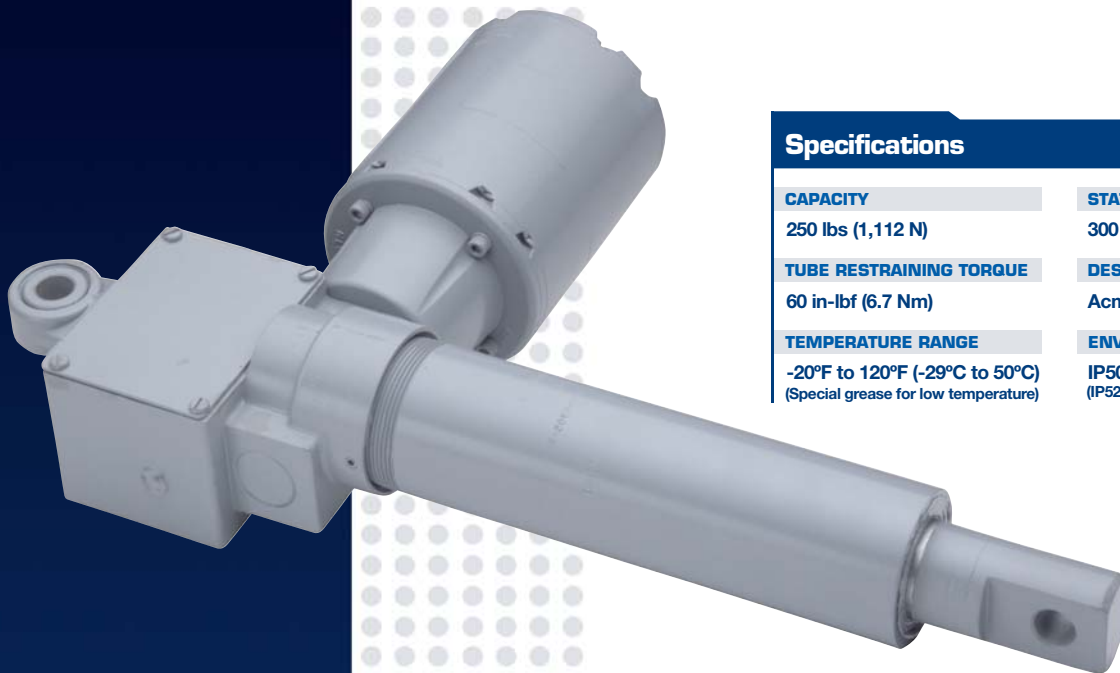
HMPB SERIES

250 lbs

1,112 N

Specifications

CAPACITY	STATIC LOAD
250 lbs (1,112 N)	300 lbs (1,332 N)
TUBE RESTRAINING TORQUE	DESIGN
60 in-lbf (6.7 Nm)	Acme Screw
TEMPERATURE RANGE	ENVIRONMENT
-20°F to 120°F (-29°C to 50°C) (Special grease for low temperature)	IP50 Protection standard (IP52 optional)

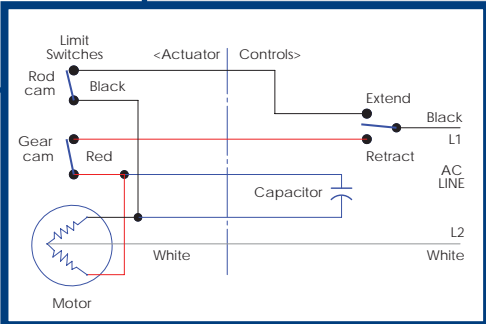
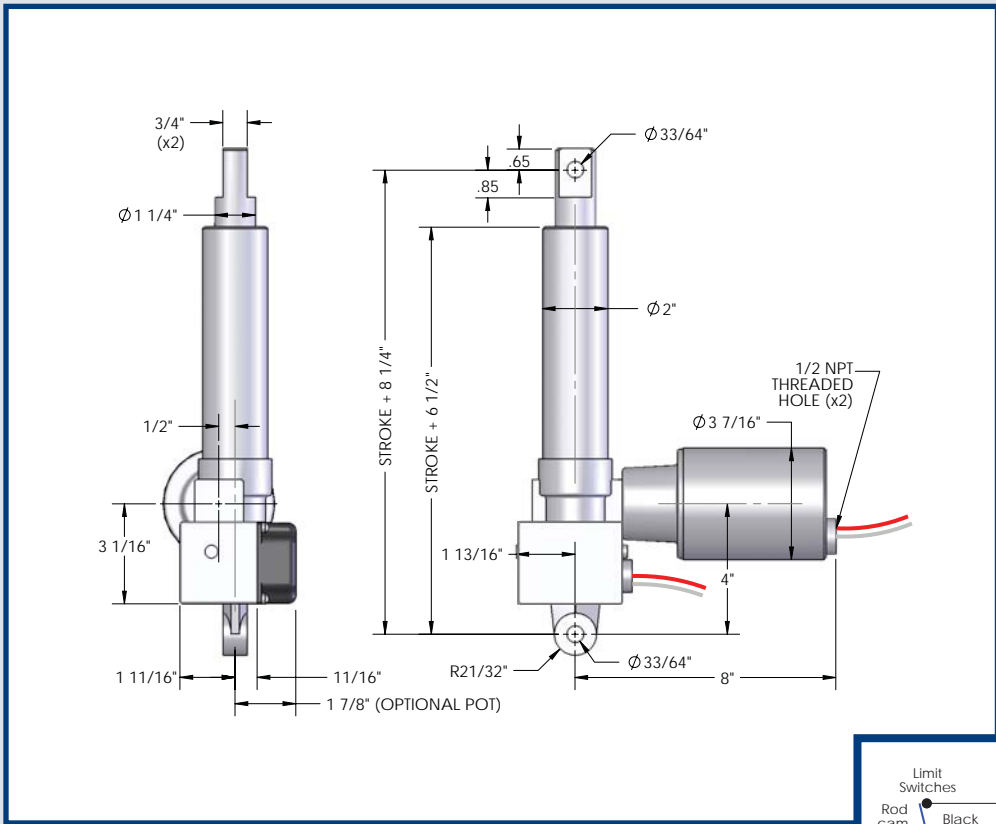


Features & Benefits

- Heavy duty design for long life in tough applications
- Aluminum housing and outer tube
- Steel translating tube – zinc chromate plated
- Double clevis mounting
- Bi-directional Ball Type Brake
- Internal adjustable limit switches
- Automatic reset thermal overload motor protection

Options

- Weather Resistant Sealant – IP52 (add “W” prefi x)
- Potentiometer (add “P” prefi x)
- Capacitor (see table)
- Bellows Boot



HMPB Linear Actuator with limit switch - 250 lb (1,112 N) Capacity

PRODUCT INFORMATION	Part Number	Rated Load		Stroke Length		Retracted Length		Voltage	Current Draw at Rated Load (A)	Speed at Rated Load		Potentiometer	Duty Cycle at Rated Load		Weight	
		lbs	N	in	mm	in	mm			in/s	mm/s		in/h	mm/h	lbs	N
	HMPB3905-3	250	1,112	3	76	11.25	285	115 Vac (60 Hz)	5	1.4	35.5	No	500	12,700	11	48.9
HMPB3905-6	6			152	14.25	362	13								57.8	
HMPB3905-12	12			304	20.25	514	16								71.1	
HMPB3905-18	18			457	26.25	666	18								80.0	
PHMPB3905-3	250	1,112	3	76	11.25	285	115 Vac (60 Hz)	5	1.4	35.5	Yes	500	12,700	12	53.3	
PHMPB3905-6			6	152	14.25	362								14	62.2	
PHMPB3905-12			12	304	20.25	514								17	75.6	
PHMPB3905-18			18	457	26.25	666								19	84.5	

Note: For all AC motors, a capacitor is required. The capacitor can be supplied by the customer or by Duff-Norton.